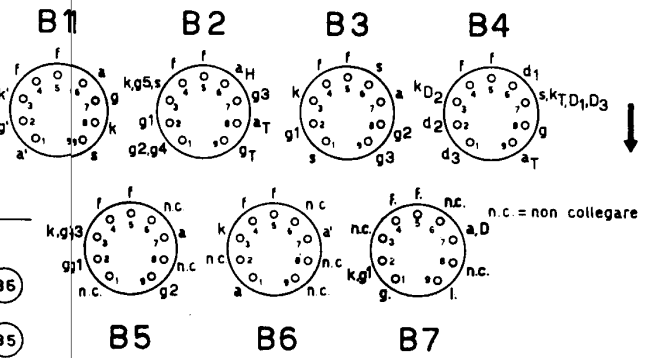
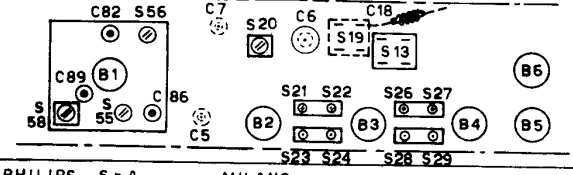
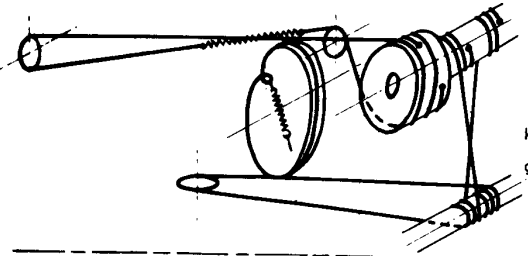
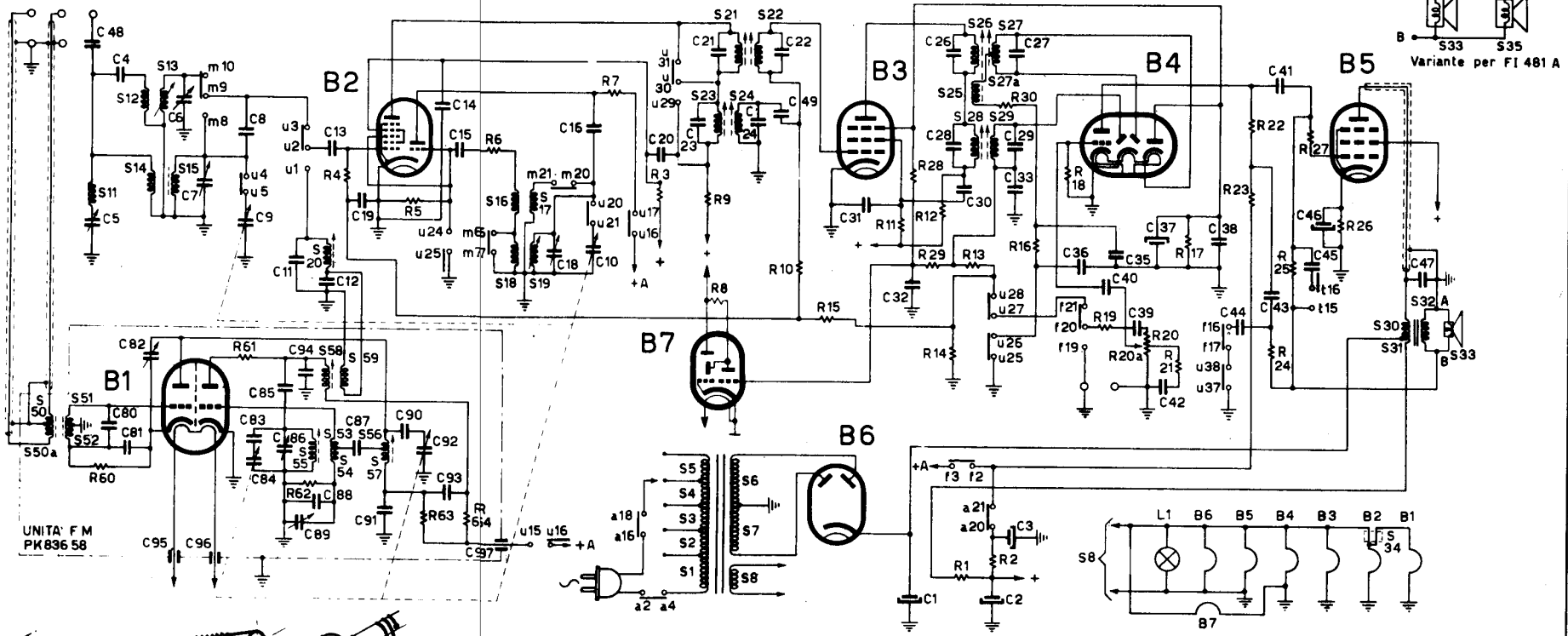


C: 48, 50, 4, 81, 82, 95, 6, 796, 8, 9, 83, 84, 85, 86, 11, 89, 94, 12, 13, 88, 19, 87, 91, 90, 92, 93, 14, 15, 97, 18, 16, 10, 20, 23, 21, 24, 22, 49, 31, 32, 1, 26, 28, 30, 27, 29, 33, 3, 2, 36, 40, 35, 39, 37, 42, 38, 44, 43, 41, 45, 46, 47, 51

R: 60 61 62 4 5, 63, 64, 6 7 3 8 9 10, 15, 11, 28, 29, 12, 14, 13, 2, 30, 16, 18, 19, 20 20a, 21, 17, 22, 23, 24, 25, 27, 26,

S: 50, 50a, 51, 52, 11, 12, 13, 14, 15 20, 58, 59, 55, 53, 54, 56, 57, 16, 17, 18, 19, 23, 24, 21, 22, 25, 26, 27, 28, 29, 27a, 34, 30, 31, 32, 33, 35

S 5, 4, 3, 2, 1, 6, 7, 8.



	TONO	FONO	O.M.	O.C.	F.M.
	t	f	m	u	u
• 21	+	+	+	+	-
• 20	+	+	+	+	-
• 19	+	+	+	+	+
• 18	+	+	+	+	+
• 17	+	+	+	+	+
• 16	+	+	+	+	+
• 15	+	+	+	+	+
• 21	+	+	+	+	-
• 20	+	+	+	+	-
• 19	+	+	+	+	+
• 18	+	+	+	+	+
• 17	+	+	+	+	+
• 16	+	+	+	+	+
• 15	+	+	+	+	+

• Cont. di comm. COMMUTATORE IN POSIZIONE O.C.
 | Barra di comm.
 ■ Ancoraggio

PHILIPS S.p.A. - MILANO

App. BI 471 A. - App. HI 482 A - FI 481 A

7-10-58

PHILIPS RADIO - Modd. BI 471/A, FI 481/A e HI 482/A. Apparecchi AM/FM. Modulazione di frequenza da 3 a 3,43 metri, onde medie da 186 a 579 metri e onde corte da 30 a 50 metri. Media frequenza AM a 460 kc/s, media frequenza FM a 10,7 Mc/s. Resa d'uscita circa 3 watt. Consumo 60 watt.

PHILIPS RADIO - Modd. BI 471/A, FI 481/A e HI 482/A

PHILIPS RADIO - Modd. BI 471/A, FI 481/A e HI 482/A